

< ART-105-0 >

SERVICE MANUAL

AM/FM STEREO TUNER

TX-5300

FV

For Service Manuals Contact
MAURITRON TECHNICAL SERVICES
8 Cherry Tree Rd, Chinnor
Oxon OX9 4QY
Tel:- 01844-351694 Fax:- 01844-352554
Email:- enquiries@mauritron.co.uk

< 74L01Y41H >

 **PIONEER®**

CONTENTS

1. SPECIFICATIONS	3
2. FRONT PANEL FACILITIES	5
3. CONNECTION DIAGRAM	6
4. BLOCK DIAGRAM	7
5. DISASSEMBLY	8
6. PARTS LOCATION	9
7. ADJUSTMENTS	10
8. DIAL CORD STRINGING	13
9. PACKING METHOD	14
10. EXPLODED VIEW AND PARTS LIST	15
11. SCHEMATIC DIAGRAMS, P.C. BOARD PATTERNS AND PARTS LIST	
11.1 Schematic Diagram	19
11.2 Electro-Parts List	22
11.3 Tuner Assembly (AWE-048)	23
11.4 Power Supply Circuit Assembly (AWR-079)	31

For Service Manuals Contact
MAURITRON TECHNICAL SERVICES
8 Cherry Tree Rd, Chinnor
Oxon OX9 4QY
Tel:- 01844-351694 Fax:- 01844-352554
Email:- enquiries@mauritron.co.uk



1. SPECIFICATIONS

SEMICONDUCTOR

- FET 1
- ICs 3
- Transistors 5
- Diodes 6

FM SECTION

Circuitry 1 FET, 1-stage RF Amplifier, 3-gang Variable Capacitor, 5-stage Limiter, PLL MPX Circuit

Sensitivity

- IHF 1.9µV
- 50dB Quieting 4.5µV (mono), 50µV (stereo)
- Signal-to-Noise Ratio 70dB (mono), 68dB (stereo)

Total Harmonic Distortion

- 100Hz 0.2% (mono), 0.4% (stereo)
- 1kHz 0.2% (mono), 0.4% (stereo)
- 10kHz 0.2% (mono), 0.6% (stereo)

Capture Ratio

..... 1.0dB

Selectivity ±40kHz

..... 60dB

Frequency Response

..... 50Hz ~ 10kHz ^{+0.2 dB}
 20Hz ~ 15kHz ^{0.5}
 ^{-2.0}

Separation

- 1kHz 35dB
- 50Hz ~ 10kHz 30dB
- Image Rejection 60dB
- IF Rejection 90dB
- Spurious Rejection 75dB
- AM Suppression 50dB
- Sub Carrier Suppression 40dB
- Muting Threshold 2.2µV
- Stereo Threshold 2.2µV
- De-emphasis 25µs/50µs/75µs switchable

AM SECTION

Circuitry 1-stage RF Amplifier, 2-gang Variable Capacitor

Sensitivity (IHF, Ferrite antenna)

..... 300µV/m

(IHF, Ext. antenna)

..... 15µV

Selectivity

..... 35dB

Signal-to-Noise Ratio

..... 50dB

Image Rejection

..... 40dB

IF Rejection

..... 50dB

AUDIO SECTION

Output level/Impedance

OUTPUT 750mV/5kΩ

MISCELLANEOUS

- Power Requirements AC 110V, 120V, 130V, 220V, and 240V 50Hz/60Hz
- Power Consumption 12W
- Dimensions 350(W) x 125(H) x 303(D) mm
 13-3/4 x 4-15/16 x 11-15/16 in
- Weight Without Package 4.8kg (10 lb 9 oz)
- Weight With Package 5.9kg (13 lb)

FURNISHED PARTS

- FM T-type Antenna 1
- Connection Cord with Pin Plugs 1
- Operating Instructions 1
- Fuse 0.5A 1
- Fuse 1A 1

NOTE:

Specifications and the design subject to possible modification without notice due to improvements.

2. FRONT PANEL FACILITIES

FUNCTION SWITCH

Switch for selecting type of broadcast reception.

AM: To receive AM broadcasts

FM AUTO: (MUTING ON) To receive FM stereo broadcasts. When an FM monophonic signal is being received, tuner automatically switches to monophonic operation. FM STEREO indicator lights during stereo reception.

FM MONO: (MUTING OFF) To receive FM monophonic broadcasts. Recommended also when FM AUTO reception is noisy and when receiving extremely weak stations.

NOTE:

In the FM MUTING ON position, inter-station noise is suppressed when tuning FM stations.

POWER SWITCH

Switch for turning AC power ON and OFF.

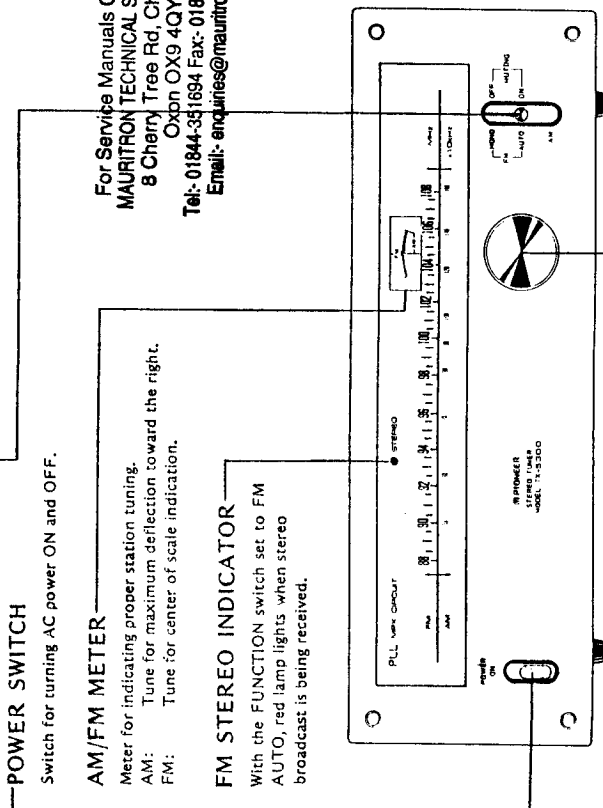
AM/FM METER

Meter for indicating proper station tuning.

AM: Tune for maximum deflection toward the right.
FM: Tune for center of scale indication.

FM STEREO INDICATOR

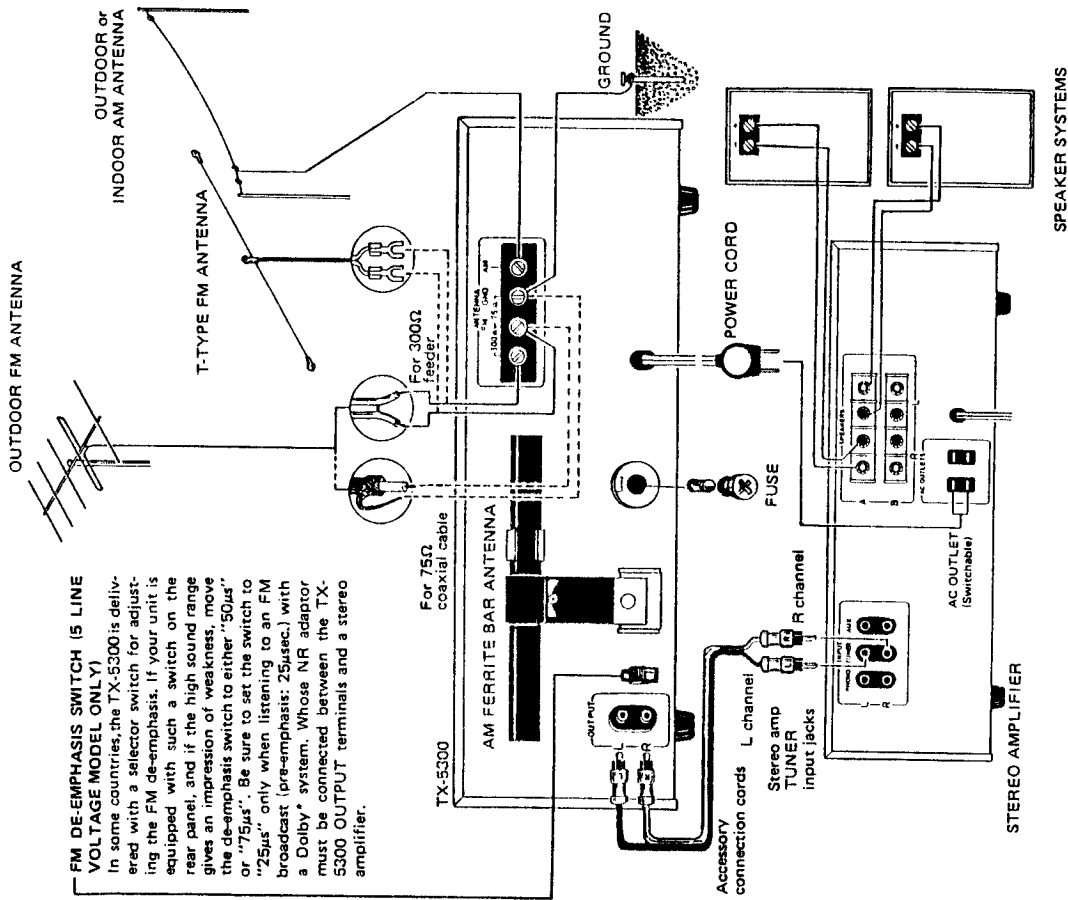
With the FUNCTION switch set to FM AUTO, red lamp lights when stereo broadcast is being received.



Employ for selecting stations. Observe AM/FM meter when tuning.

Employ for selecting stations. Observe AM/FM meter when tuning.

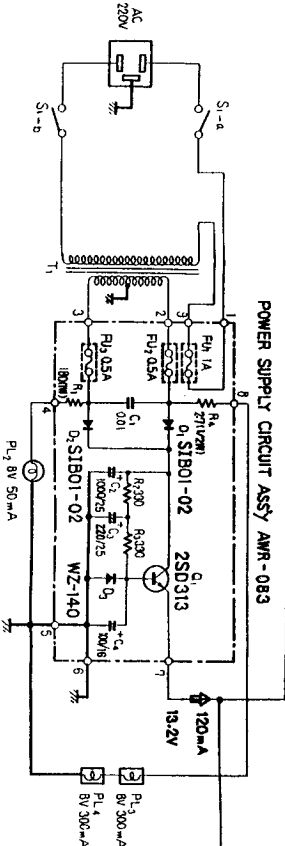
3. CONNECTION DIAGRAM



FM DE-EMPHASIS SWITCH (5 LINE VOLTAGE MODEL ONLY)
In some countries, the TX-5300 is delivered with a selector switch for adjusting the FM de-emphasis. If your unit is equipped with such a switch on the rear panel, and if the high sound range gives an impression of weakness, move the de-emphasis switch to either "50μs" or "75μs". Be sure to set the switch to "25μs" only when listening to an FM broadcast (pre-emphasis: 25μs) with a Dolby* system. Whose NR adaptor must be connected between the TX-5300 OUTPUT terminals and a stereo amplifier.

* The word "Dolby" is a trademark of Dolby Laboratories Inc.

For Service Manuals Contact
MAURITRON TECHNICAL SERVICES
 8 Cherry Tree Rd, Chinnor
 Oxon OX9 4QY
 Tel:- 01844-351694 Fax:- 01844-352554
 Email:- enquiries@mauritron.co.uk



NOTES

V : DC VOLTAGE AT NO INPUT SIGNAL
 A : DC CURRENT AT NO INPUT SIGNAL
 V : SIGNAL VOLTAGE AT 30% MOD

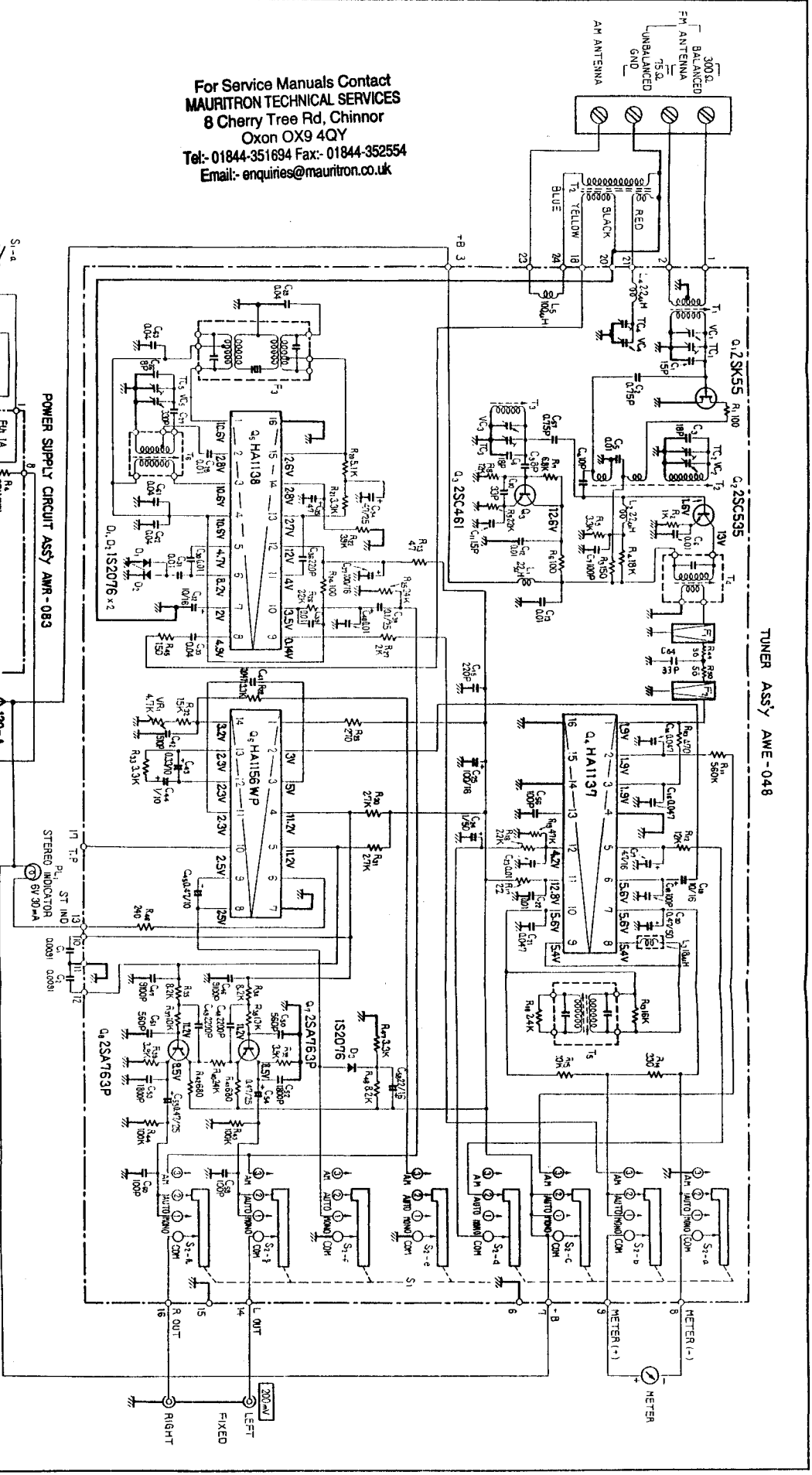
CAPACITORS
 IN µF UNLESS OTHERWISE NOTED.
 P : pF

RESISTORS
 IN OHM, 1/4W, ±5% TOLERANCE UNLESS OTHERWISE NOTED. K : KΩ M : MΩ

SWITCHES

S1 POWER SWITCH
 ON : ON
 OFF : OFF

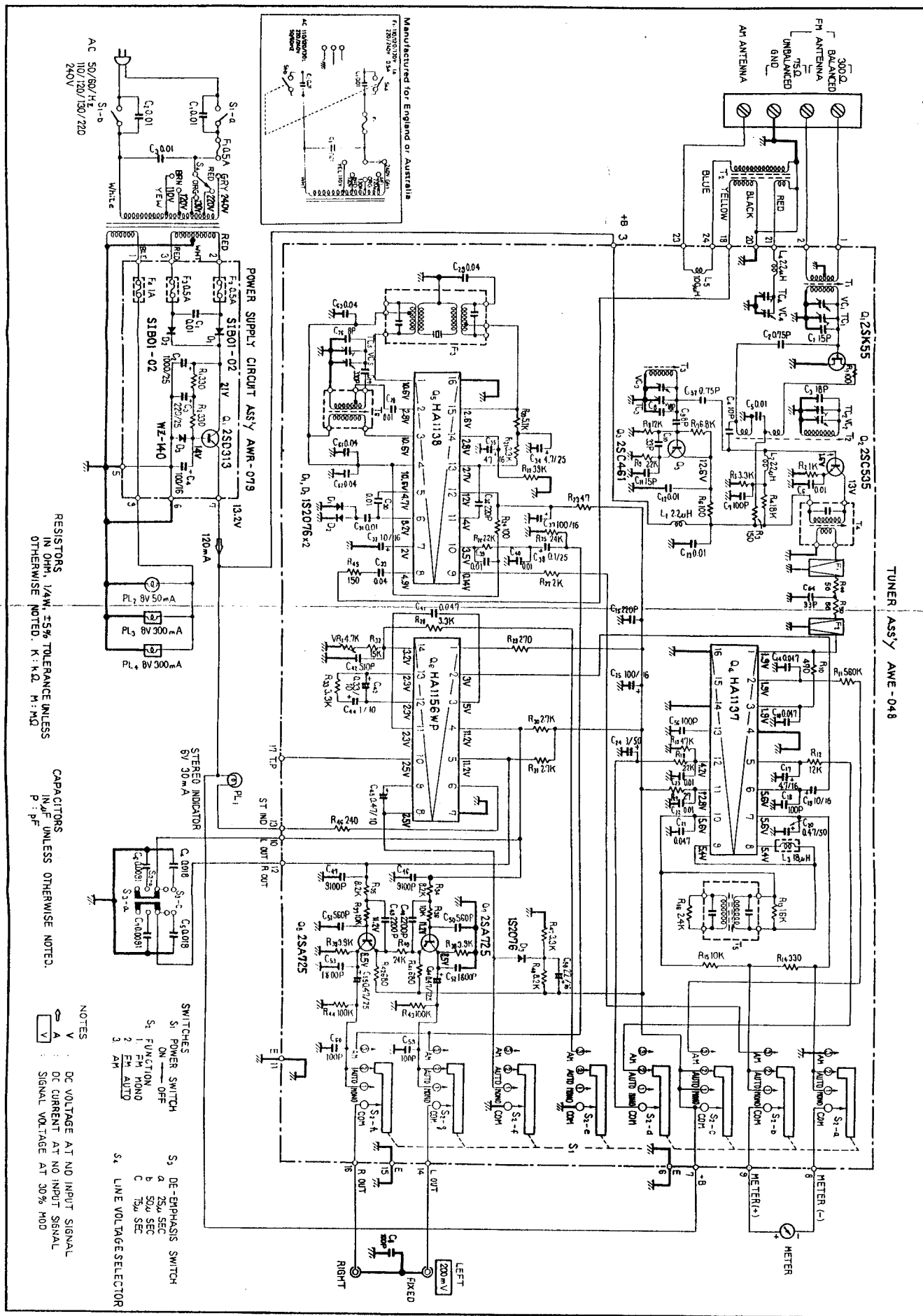
S2 FUNCTION
 1. FM MONO
 2. FM AUTO
 3. AM



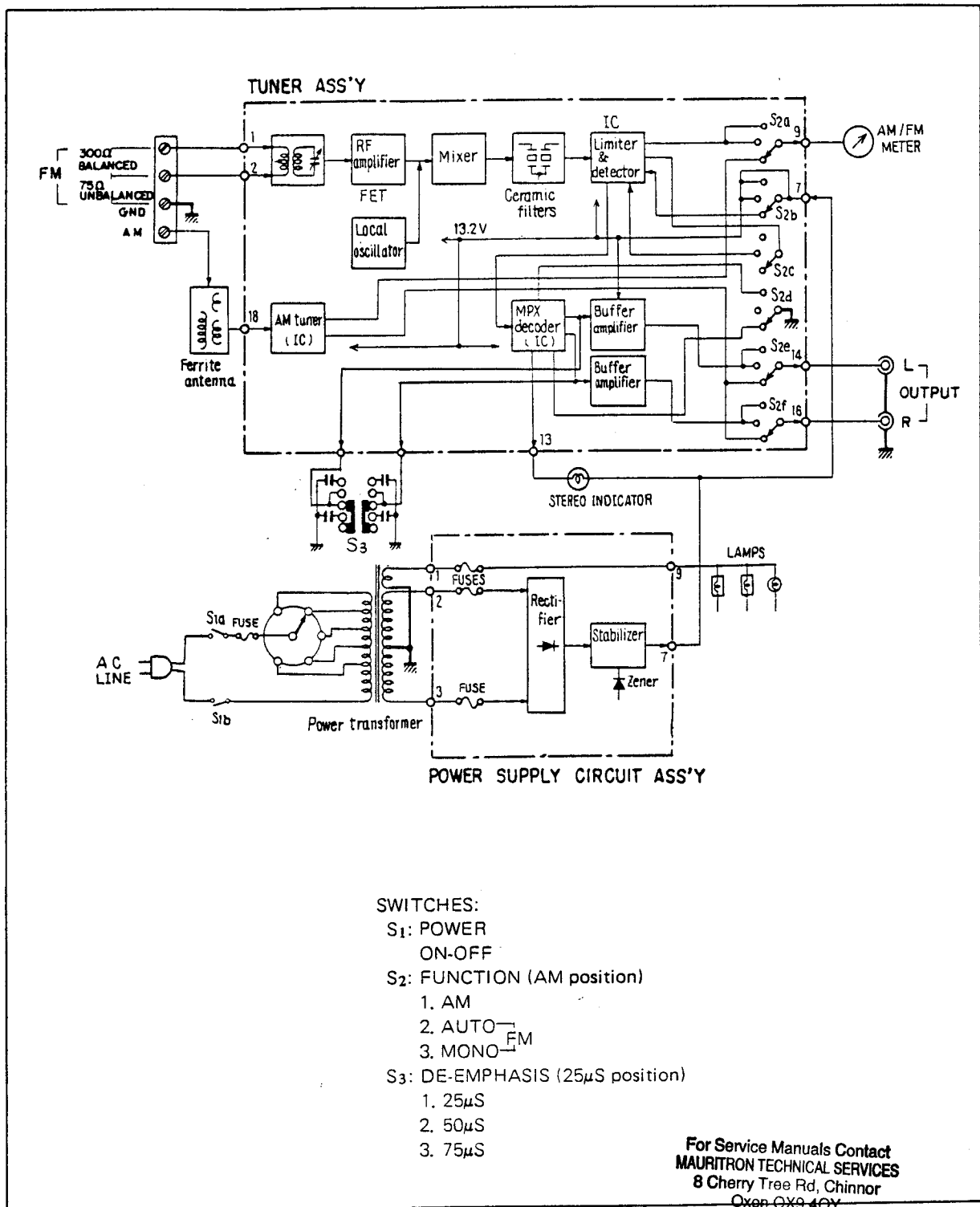
TX-5300

FP
FV

PIONEER



4. BLOCK DIAGRAM

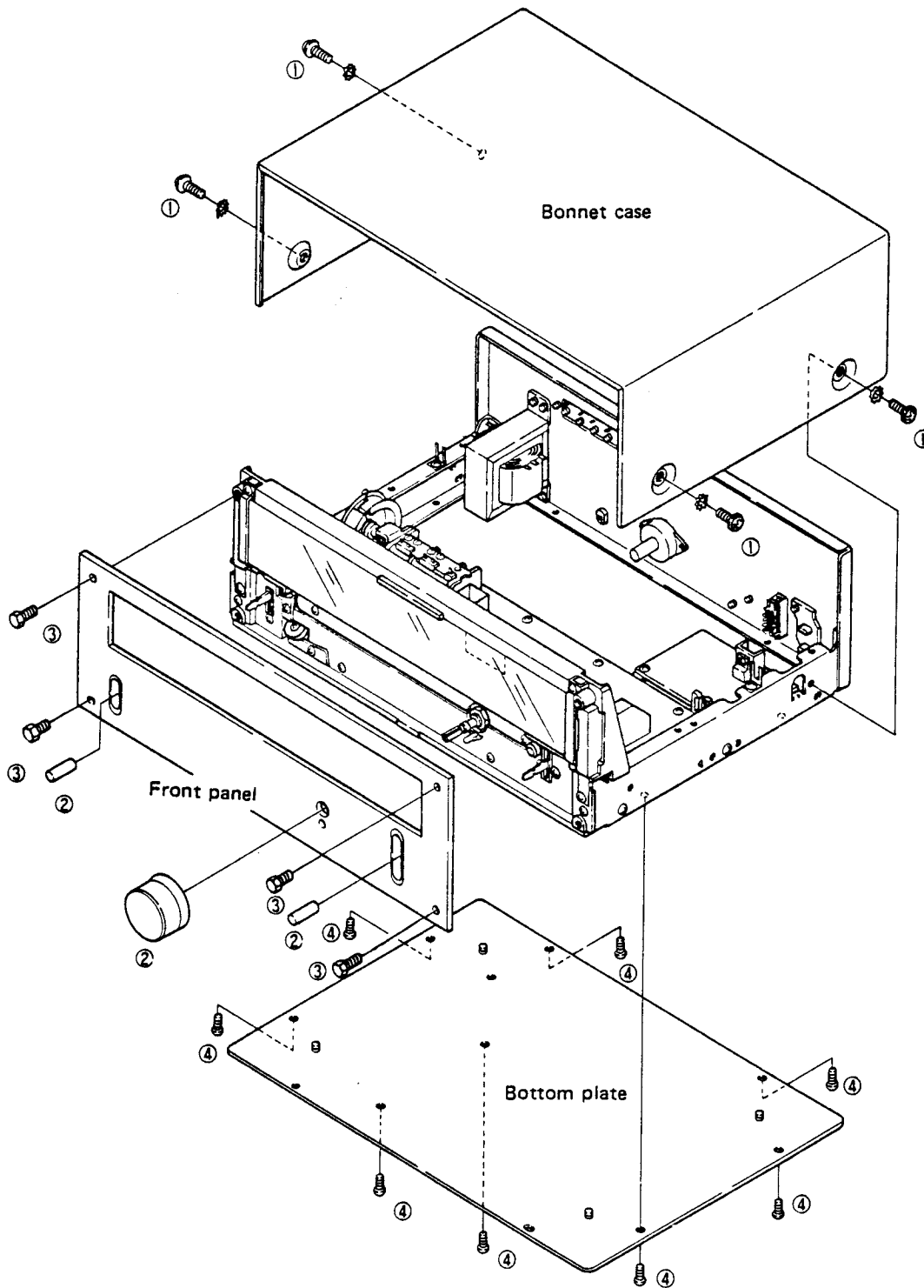


- SWITCHES:
- S1: POWER ON-OFF
 - S2: FUNCTION (AM position)
 - 1. AM
 - 2. AUTO FM
 - 3. MONO FM
 - S3: DE-EMPHASIS (25μS position)
 - 1. 25μS
 - 2. 50μS
 - 3. 75μS

For Service Manuals Contact
MAURITRON TECHNICAL SERVICES
 8 Cherry Tree Rd, Chinnor
 Oxon OX9 4QY
 Tel:- 01844-351694 Fax:- 01844-352554
 Email:- enquiries@mauritron.co.uk

5. DISASSEMBLY

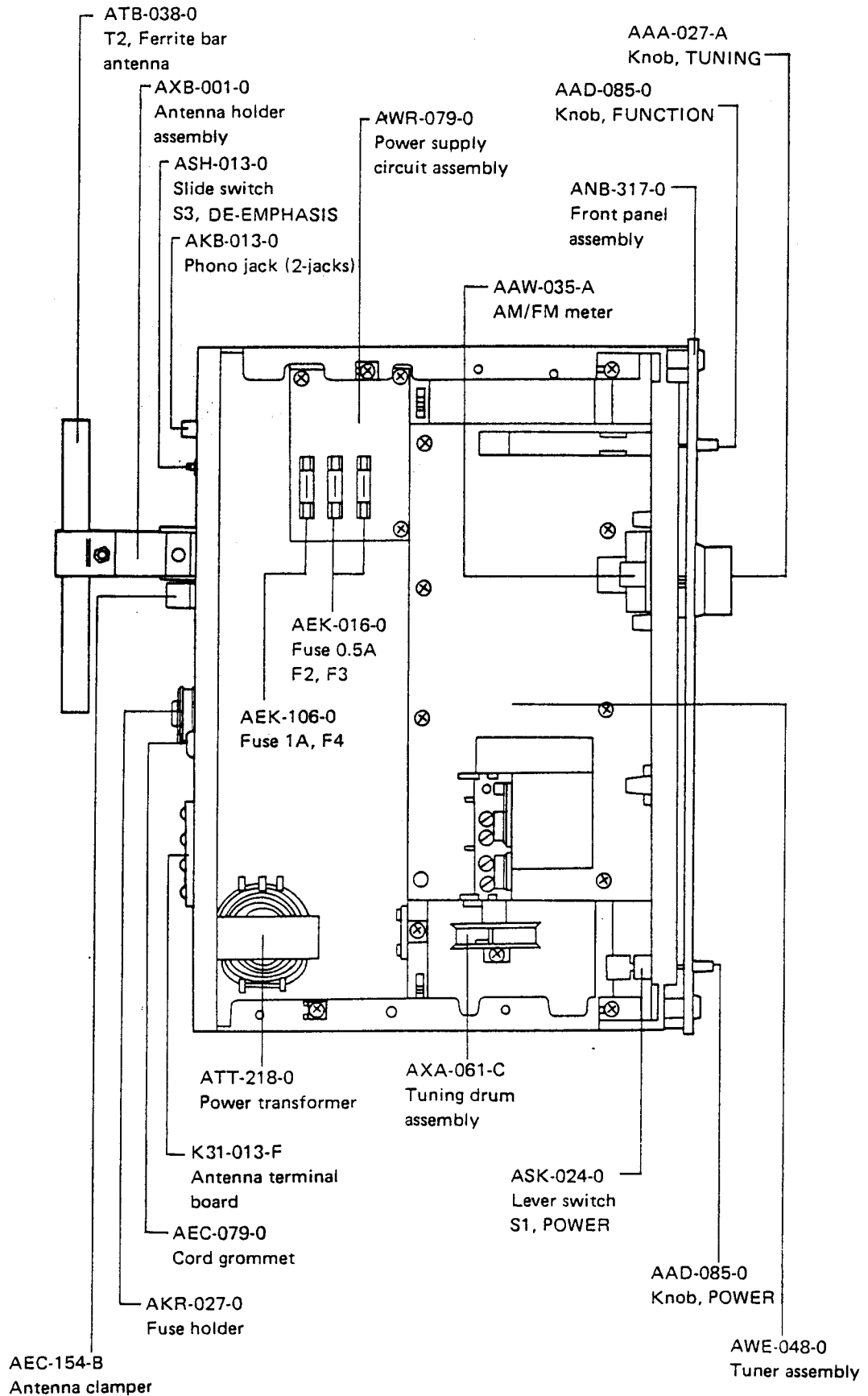
1. To remove the bonnet case, remove 2 screws each fastening either side and lift the bonnet case.
2. Pull off all the knobs.
3. To remove the front panel, remove 4 screws.
4. To remove the bottom plate, remove a total of 8 screws.



6. PARTS LOCATION

Top View

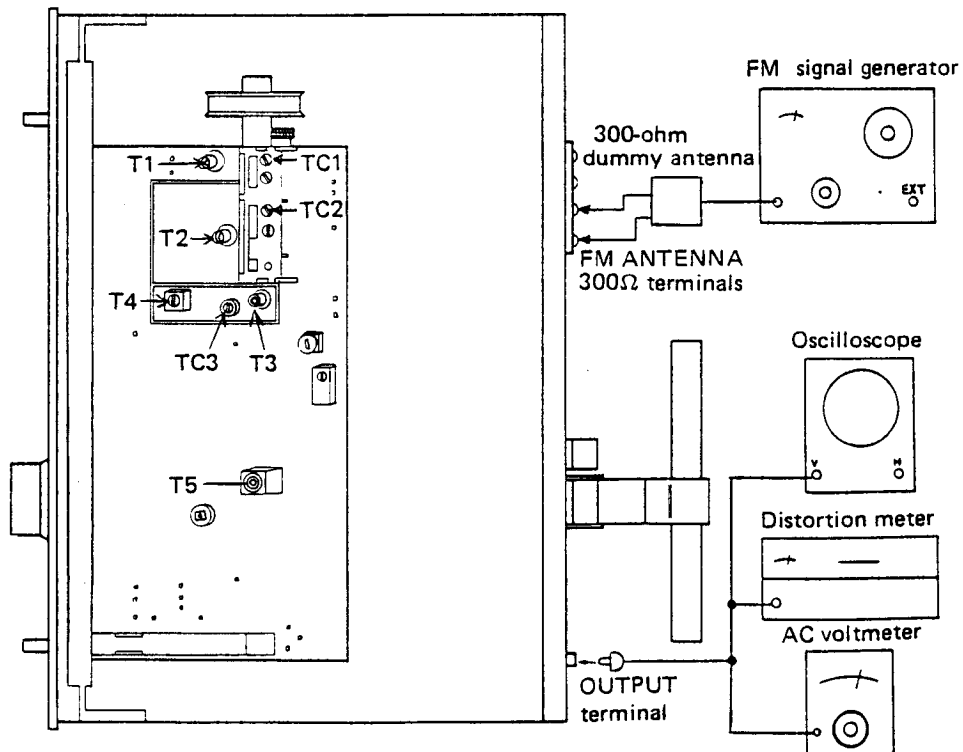
For Service Manuals Contact
 MAURITRON TECHNICAL SERVICES
 8 Cherry Tree Rd, Chinnor
 Oxon OX9 4QY
 Tel: 01844-351694 Fax: 01844-352554
 Email: enquiries@mauritron.co.uk



7. ADJUSTMENTS

FM Section

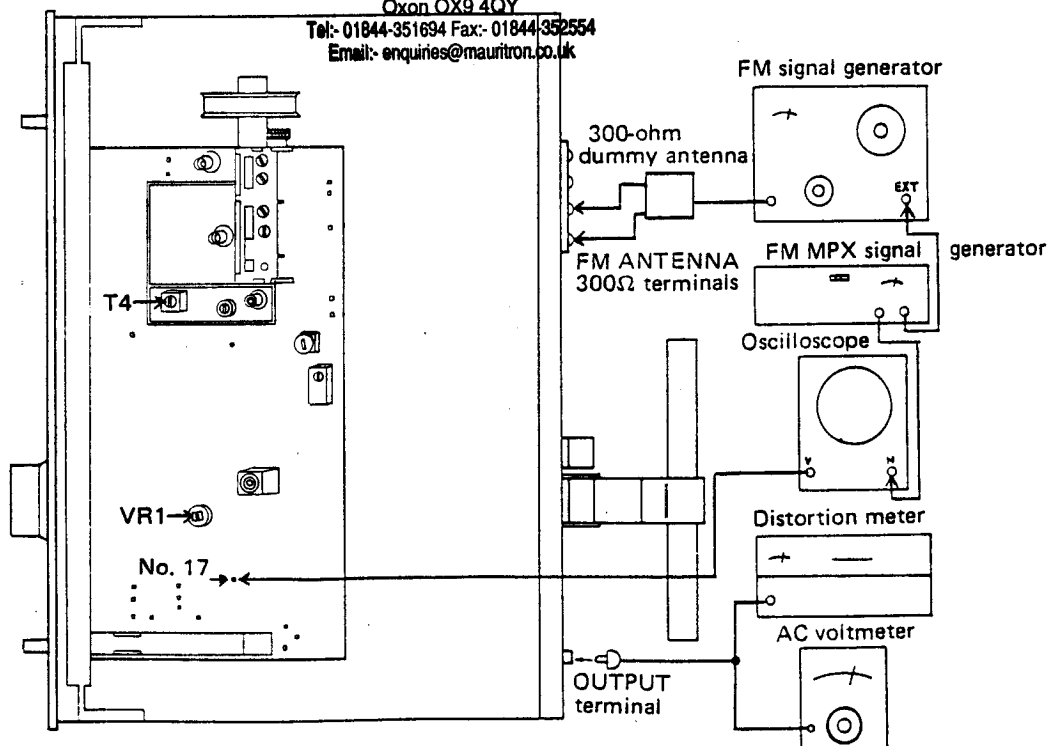
1. Switch positions on the TX-5300:
 FUNCTION FM MONO
 POWER ON
2. Connection of instruments:
 FM Signal Generator (FM SG).... Connect to FM ANTENNA terminals through 300Ω dummy antenna.
 AC Voltmeter } Connect in parallel to OUTPUT
 Distortion meter } jack.
 Oscilloscope }
3. Set FM SG to 100% modulation ($\pm 75\text{kHz}$ deviation) at 400Hz and 100dB output.
4. Tune FM SG and TX-5300 to dial readings of 87.4MHz (left scale end).
5. Adjust T5 (lower core) so that AM/FM meter points to the center.
6. Set FM SG output to 8 ~ 10dB and adjust T1, T2 and T3 to maximize audio frequency output level.
7. Tune FM SG and TX-5300 to dial readings of 106MHz.
8. Set FM SG output to 8 ~ 10dB and adjust TC1, TC2 and TC3 to maximize audio frequency output level.
- Repeat steps 4 through 8 so that output is maximized when the dial indicates the given frequencies.
9. Tune FM SG and TX-5300 to dial readings of 87.4MHz and adjust T4 to maximize audio frequency output level when FM SG output is 8 ~ 10dB.
10. Detune TX-5300 so that only noise is received.
11. Adjust T5 (lower core) so that AM/FM meter points to the center.
12. Tune FM SG and TX-5300 to dial readings of 98MHz. Fine tune TX-5300, observing AM/FM meter.
13. Set FM SG output to 60dB and adjust T5 (upper core) to minimize distortion.



FM MPX Section

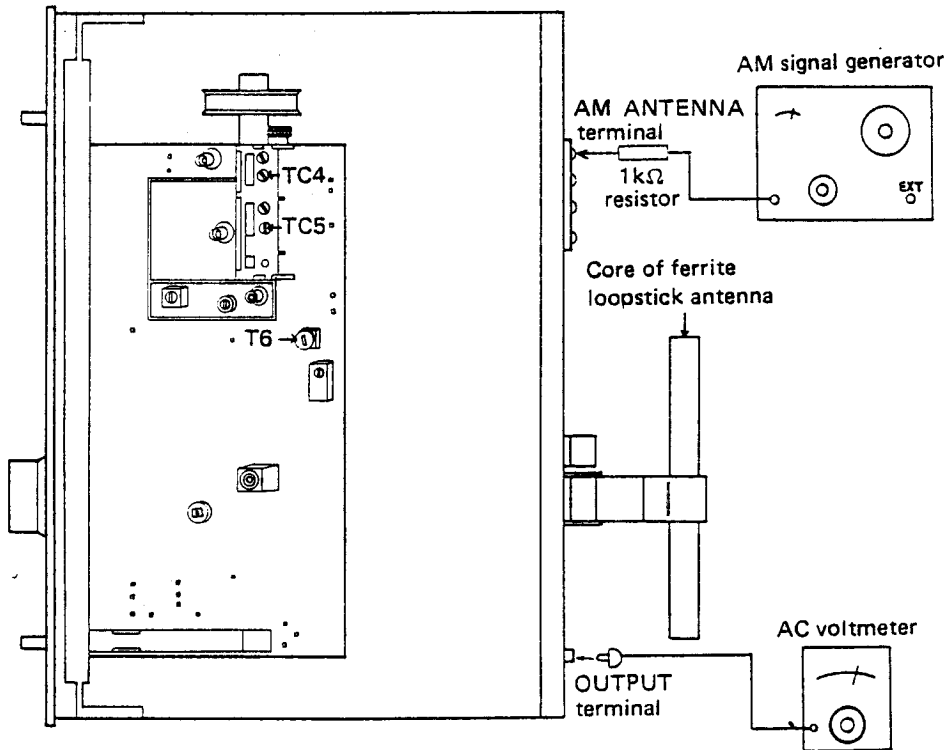
- The TX-5300 incorporates a PLL demodulator circuit. This adjustment should only be made when MPX IC has been replaced.
 - This adjustment should be made after completion of FM section adjustment.
1. Switch positions on the TX-5300:
 FUNCTION FM AUTO
 POWER ON
 2. Connection of instruments:
 FM Signal Generator (FM SG) ... Connect to FM ANTENNA terminals through 300Ω dummy antenna.
 MPX Signal Generator (MPX SG) . Connect to FM SG's external modulator terminals.
 Oscilloscope Connect horizontal input to MPX SG's PILOT OUT terminals and vertical input to No. 17 terminal of tuner assembly.
 Distortion meter Connect to OUTPUT jack.
 3. Tune FM SG and TX-5300 to dial readings of 98MHz.
 4. Set MPX SG to ±67.5kHz deviation at 1kHz for left and right channels and FM SG output to 60dB.
 5. Produce a Lissajous pattern on oscilloscope and adjust VR1 to make the pattern still.
 6. Set MPX SG to ±67.5kHz deviation at 1kHz for left and right channels and to ±7.5kHz deviation for 19kHz pilot signal. Set FM SG output to 60dB.
 7. Adjust T4 to minimize distortion of audio frequencies for left or right channel.

For Service Manuals Contact
MAURITRON TECHNICAL SERVICES
 8 Cherry Tree Rd, Chinnor
 Oxon OX9 4QY
 Tel:- 01844-351694 Fax:- 01844-352554
 Email:- enquires@mauritron.co.uk



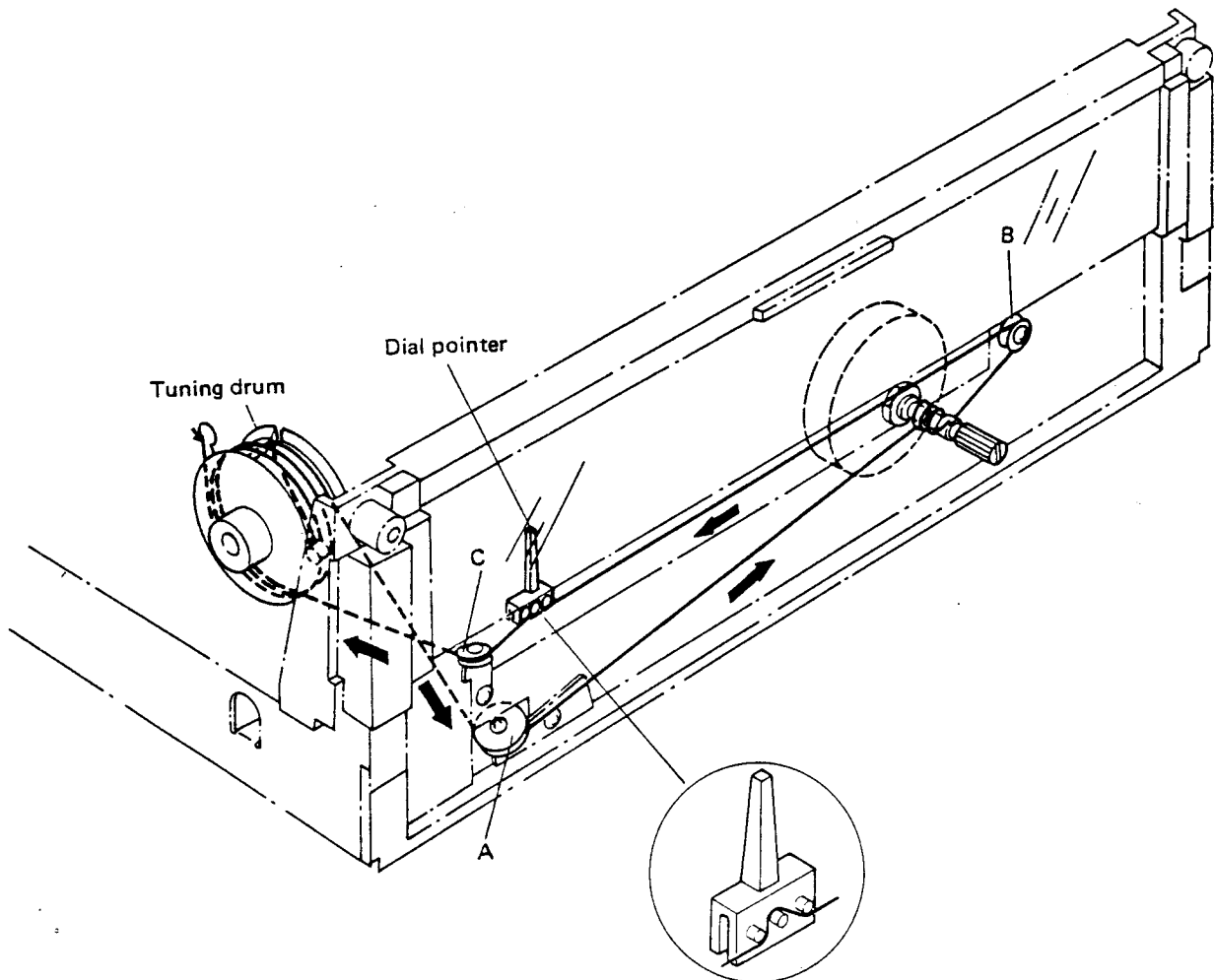
AM Section

1. Switch positions on the TX-5300:
 FUNCTION AM
 POWER ON
2. Connection of instruments:
 AM Signal Generator (AM SG) . . . Connect to AM ANTENNA terminals in series with dummy antenna (1k Ω resistor).
 AC Voltmeter Connect to OUTPUT jack.
3. Set AM SG to 30% modulation at 400Hz and 30dB output.
4. Tune AM SG and TX-5300 to dial readings of 600kHz and adjust T6 to maximize audio frequency output level. (Adjust core of ferrite loopstick antenna at the same time.)
5. Tune AM SG and TX-5300 to dial readings of 1,400kHz and adjust TC4 and TC5 to maximize audio frequency output level.
- Repeat steps 4 and 5 so that output is maximized when the dial indicates these frequencies.



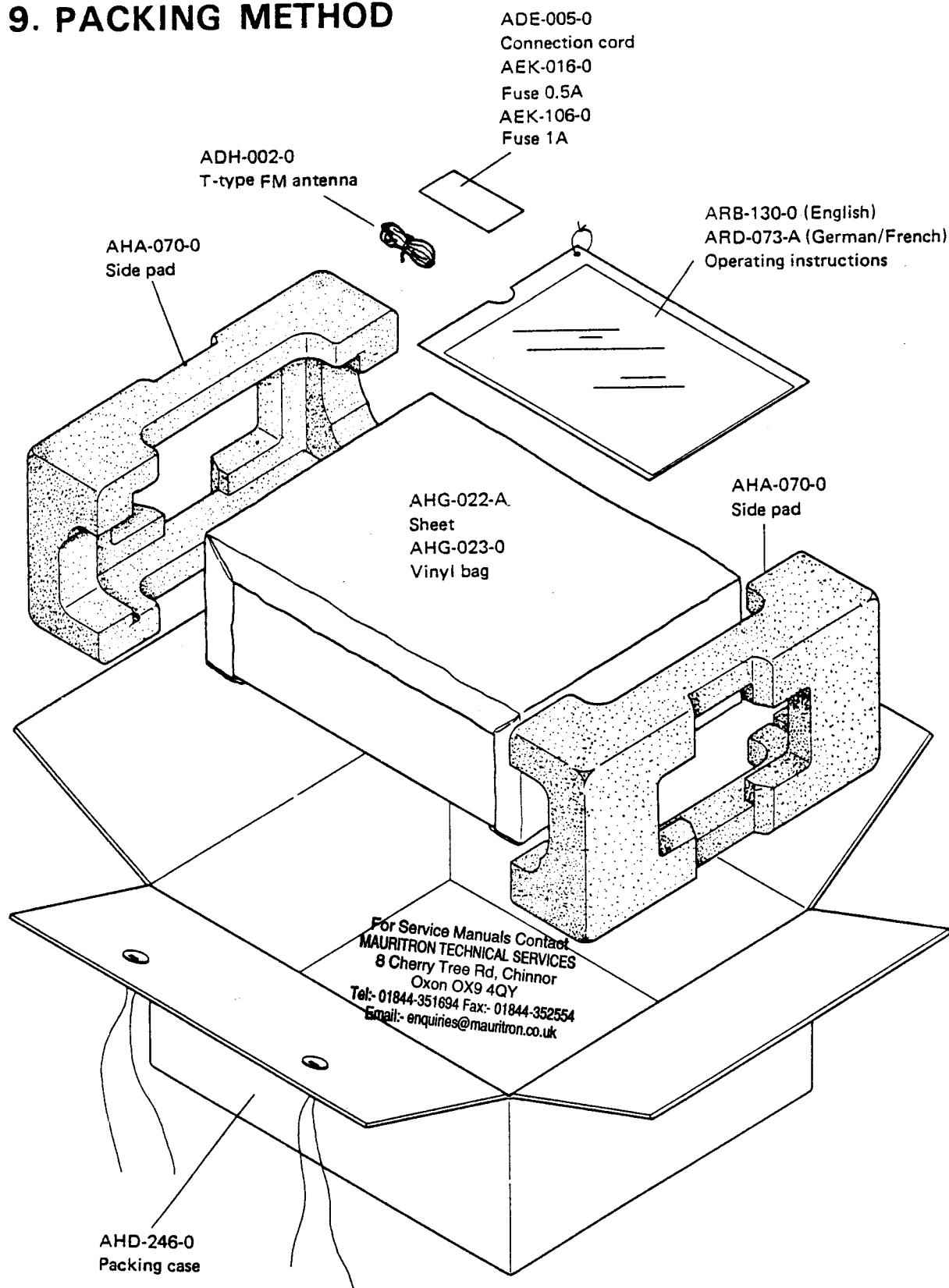
8. DIAL CORD STRINGING

1. Set the tuning capacitor to maximum capacitance, fully counterclockwise.
2. Fasten one end of the cord to the protrusion on the tuning drum and lead it round pulley A.
3. Wind the cord 3 turns round the tuning shaft and run it round pulleys B and C.
4. Wind the cord 2 turns round the dial pulley and tie the end to the spring while tensioning the spring slightly.
5. Confirm that dial stringing moves smoothly. If so, cut the unnecessary portion of string.
6. Turn the tuning knob fully counterclockwise and fix the dial pointer to string so that it indicates low end on the dial scale.



For Service Manuals Contact
MAURITRON TECHNICAL SERVICES
 8 Cherry Tree Rd, Chinnor
 Oxon OX9 4QY
 Tel:- 01844-351694 Fax:- 01844-352554
 Email:- enquiries@mauritron.co.uk

9. PACKING METHOD



10. EXPLODED VIEW AND PARTS LIST

NOTE:

Parts number is subject to change for the purpose of improvement with notice of a service bulletin.

Service bulletin will be furnished whenever necessary and you are requested to amend parts number in this manual according to the instructions.

Parts List of Exploded View

NOTICE: Any parts asterisked (*) are subject to being not supplied.

Key No.	Description	Part No.	
1	Tuning drum assembly	AXA-061-C	
2	Tuner assembly	AWE-048-0	
3*	Dial scale plate holder	AEB-066-A	
4*	Rubber clasper	ANF-273-0	
5	Dial scale	AAG-090-0	
6	Lamp holder	AKK-002-0	
7	Lamp 8V, 300mA, dial scale (PL3~4)	E22-032-0	bar type
8*	Insulator (L)	AEC-170-B	
9	Front panel	ANB-317-0	Including 35, 36
10	
11	Screw, front panel	ABA-021-A	
12	Knob (FUNCTION, POWER)	AAD-085-0	
13	Knob (TUNING)	AAA-027-A	
14	Power transformer (T1)	ATT-218-0	
15	Terminal strip 2P	AKC-030-0	
16	Wire clip (B)	AEC-005-0	
17*	Side frame	ANF-270-C	
18	Lever switch (S1, POWER)	ASK-024-0	
19	Lamp 8V, 50mA (PL2, meter)	AEL-026-0	with leads
20	Rubber tube	AEB-065-0	
21	AM/FM meter	AAW-035-A	
22	Tuning shaft assembly	AXA-066-0	
23*	Center frame	ANF-272-A	
24*	Front frame	ANF-271-A	
25	Lamp 6V, 30mA (PL1, stereo ind.)	AEL-017-A	
26	Flat washer	B 22-012-0	
27*	Panel stay	AEC-163-B	
28	Pulley shaft	M49-025-E	
29	Pulley (small)	AEC-017-0	
30	Pulley-held metal	ANG-109-0	
31	Pulley (large)	AEC-101-0	
32	Pulley-held metal	ANG-110-0	
33	Dial pointer guide plate	AND-078-0	
34	Dial pointer	AAF-032-0	
35	Spacer	AEC-166-0	attached 9
36	Spacer	AEC-168-0	attached 9
37	Insulator (R)	AEC-173-B	
38	Bonnet	ANE-082-0	
39	Screw, bonnet, M4x8	ABA-079-A	
40	Claw washer	B21-011-0	

Continued on the Next Page

NOTICE: Any parts asterisked (*) are subject to being not supplied.

Key No.	Description	Part No.	
41	Antenna terminal board	K31-013-F	
42*	Rear panel	ANC-156-0	
43	Cord grommet	AEC-079-0	
44	AC power cord	ADG-004-0	
45	Antena clamper	AEC-154-B	
46	Power supply circuit assembly	AWR-079-0	
47*	Ground terminal strip (2P)	K13-048-0	
48	Phono jack (2-jacks)	AKB-013-0	
49*	Bottom plate	ANE-061-0	
50	Foot	AEC-083-A	
51	Antenna holder assembly	AXB-001-0	
52	Ferrite bar antenna (T2)	ATB-038-0	
53	Slide switch (S3, DE-EMPHASIS)	ASH-013-0	
54	Lock plate	AEC-199-0	
55	Fuse holder (line voltage selector)	AKR-027-0	
56	
57	Pulley shaft	ALA-017-0	
58	Washer (t = 1 mm)	M45-086-0	
59	Nut (9φ)	B71-004-0	

For Service Manuals Contact
MAURITRON TECHNICAL SERVICES
 8 Cherry Tree Rd, Chinnor
 Oxon OX9 4QY
 Tel: 01844-351694 Fax: 01844-352554
 Email: enquiries@mauritron.co.uk

Exploded View

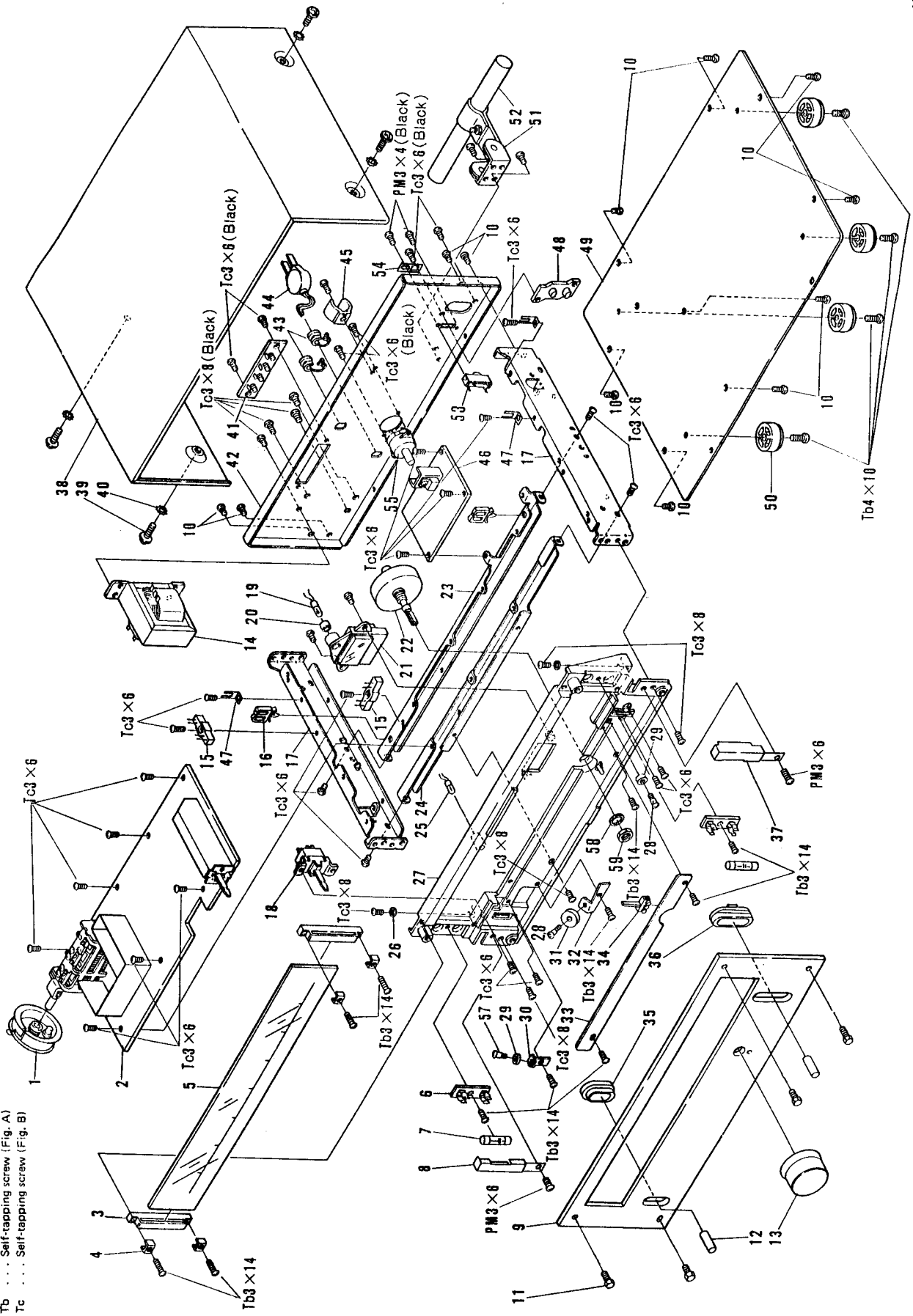
NOTE:

The following Symbols Stand for Screws.

PM . . . Pan head machine screw

Tb . . . Self-tapping screw (Fig. A)

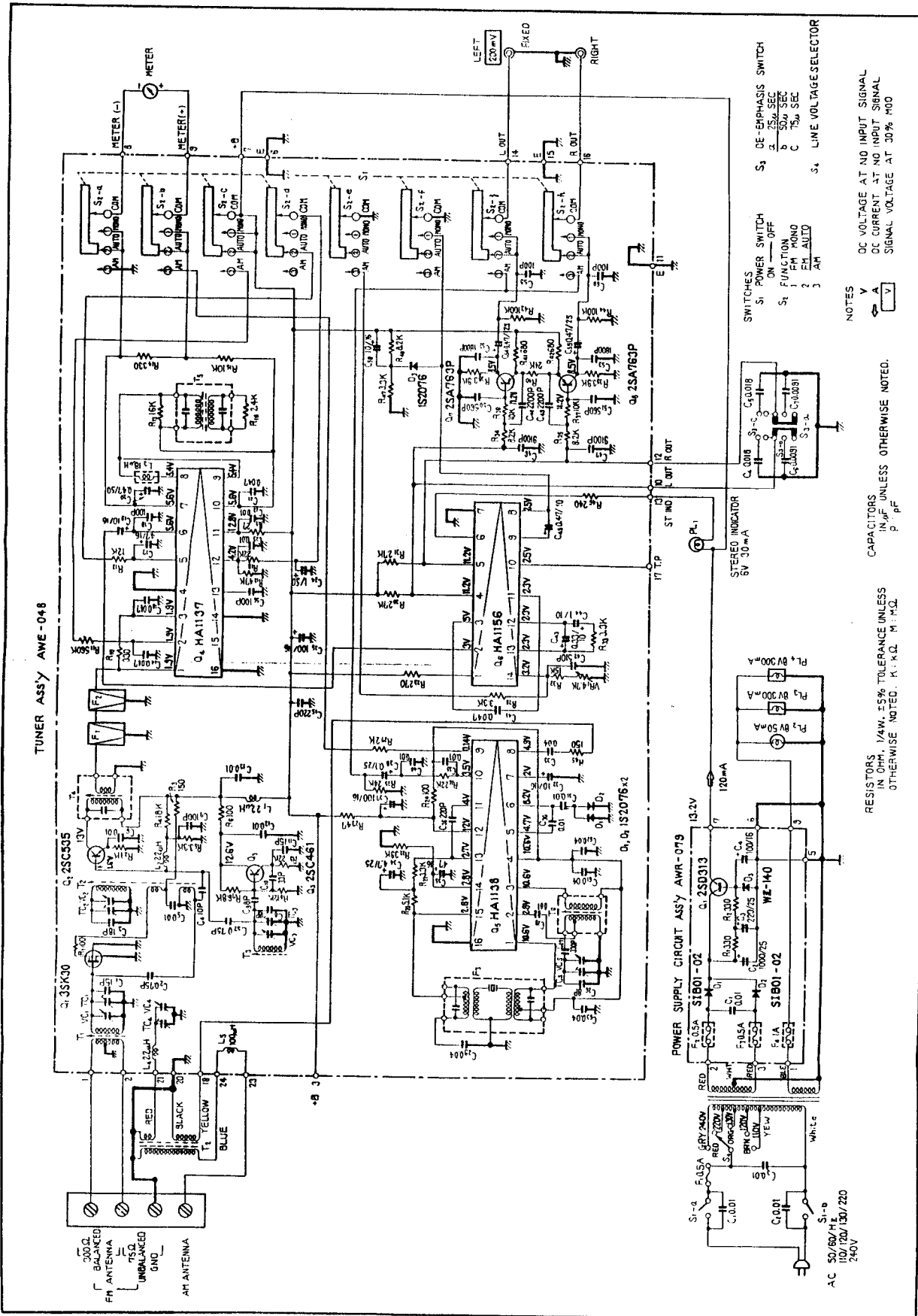
Tc . . . Self-tapping screw (Fig. B)



For Service Manuals Contact
MAURITRON TECHNICAL SERVICES
 8 Cherry Tree Rd, Chinnor
 Oxon OX9 4QY
 Tel: 01844-351694 Fax: 01844-352554
 Email: enquiries@mauritron.co.uk

11. SCHEMATIC DIAGRAMS, P.CBOARD PATTERNS AND PARTS LIST

11.1 SCHEMATIC DIAGRAM



11.2 ELECTRO-PARTS LIST

- CAPACITORS: IN μ F UNLESS OTHERWISE NOTED p:pF
- RESISTORS: IN Ω , 1/4W UNLESS OTHERWISE NOTED k:k Ω , M:M Ω .

CAPACITORS

Symbol	Description	Part No.
C1	Ceramic 0.01 250V	ACG-001-0
C2	Ceramic 0.01 250V	ACG-001-0
C3	Ceramic 0.01 250V	ACG-001-0
C4	Mylar 0.018 50V	COMA 183J 50
C5	Mylar 0.018 50V	COMA 183J 50
C6	Mylar 0.0091 50V	COMA 912J 50
C7	Mylar 0.0091 50V	COMA 912J 50

LAMPS, FUSES

Symbol	Description	Part No.
PL1	Lamp, 6V 30mA (STEREO IND.)	AEL-017-A
PL2	Lamp, 8V 50mA (AM/FM meter)	AEL-026-0
PL3	Lamp, 8V 300mA (dial scale)	E22-032-0
PL4	Lamp, 8V 300mA (dial scale)	E22-032-0
F1	Fuse 0.5A (primary)	AEK-016-0
F2	Fuse 0.5A (secondary)	AEK-016-0
F3	Fuse 0.5A (secondary)	AEK-016-0
F4	Fuse 1A (lamps)	AEK-106-0

OTHERS

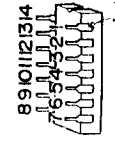
Symbol	Description	Part No.
S1	Lever switch (POWER)	ASK-024-0
S3	Slide switch (D.E. EMPHASIS)	ASH-013-0
T1	Power transformer	ATT-218-0
T2	Ferrite bar antenna	ATB-038-0

HA1137

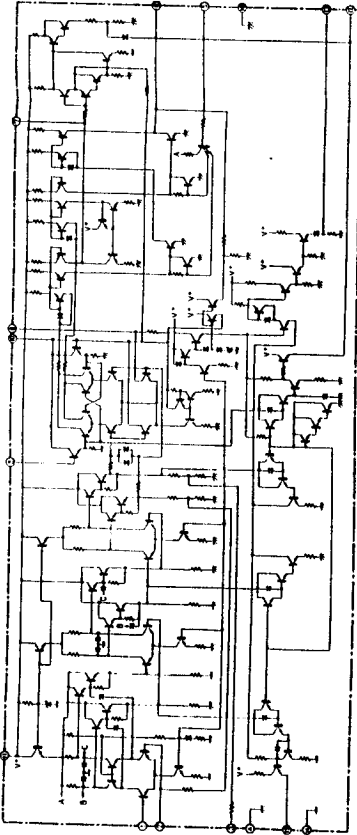
HA1138



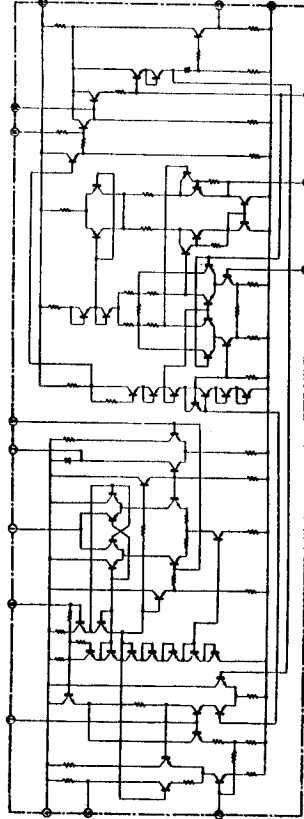
HA1156



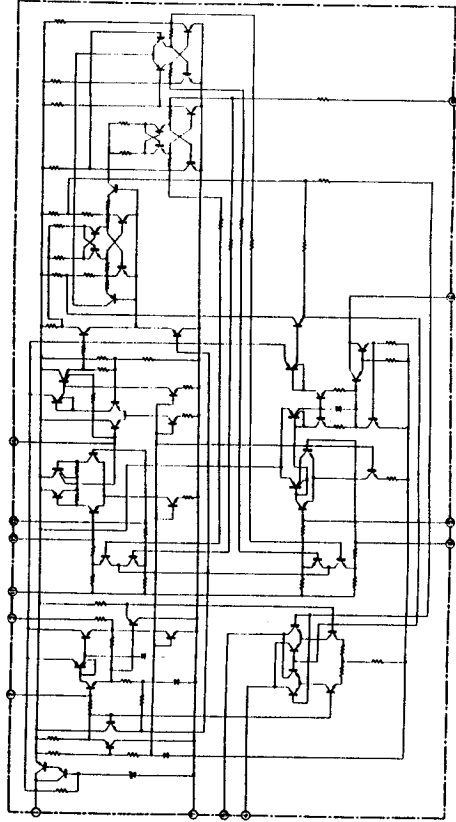
HA1137 (FM IF IC)



HA1138 (AM IC)

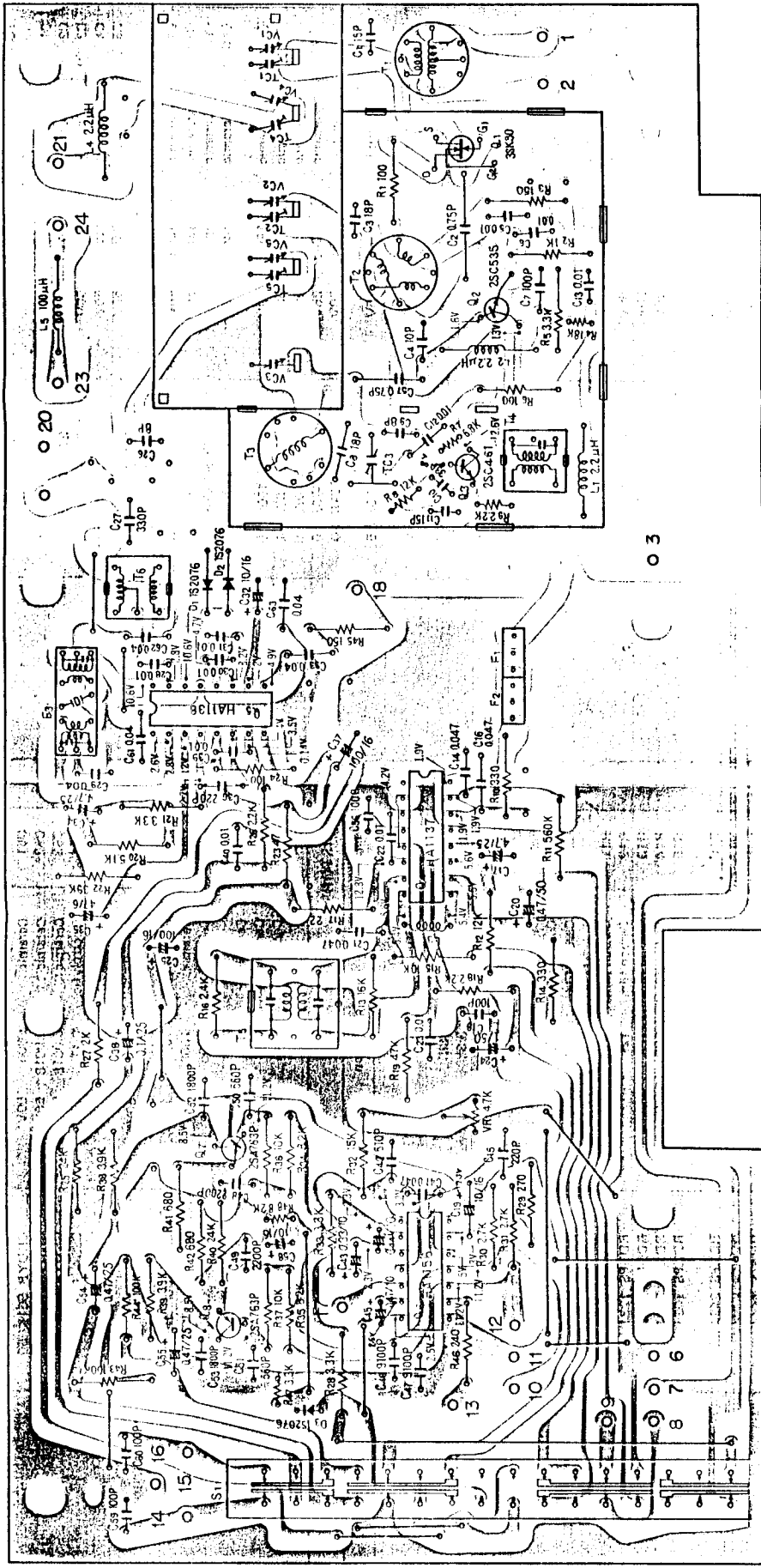


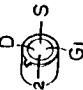
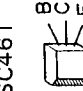
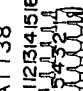


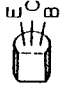





HA1156 (FM MPX IC)



For Service Manuals Contact
MAURITRON TECHNICAL SERVICES
 8 Cherry Tree Rd, Chinnor
 Oxon OX9 4QY
 Tel: 01844-351694 Fax: 01844-352554
 Email: enquiries@mauritron.co.uk

Foil Side



- 3SK30  G2 G1 S D
- HA1137  B C E
- HA1138  B C E
- 910112B14/516  Index
- HA1156  B C E
- 890112B14  E B
- 25C535  G S D
- 25C461  G S D
- 2SA763P  B C E
- (2SA725)  E B
- (2SK55)  G S D

Part List of Tuner Assembly (AWE-048-0)

CAPACITORS

Symbol	Description	Part No.
VC	Tuning capacitor	ACK-012-0
TC3	Ceramic trimmer	C43-007-A
C1	Ceramic 15p	CCDTH 150K 50
C2	Ceramic 0.75p	CGB R75K 500
C3	Ceramic 18p	CCDTH 180K 50
C4	Ceramic 10p	CCDSL 100K 50
C5	Ceramic 0.01	CKDYF 103Z 50
C6	Ceramic 0.01	CKDYF 103Z 50
C7	Ceramic 100p	CCDSL 101K 50
C8	Ceramic 18p	CCDTH 180K 50
C9	Ceramic 8p	CCDCH 080F 50
C10	Ceramic 33p	CCDCH 330K 50
C11	Ceramic 15p	CCDCH 150K 50
C12	Ceramic 0.01	CKDYB 103K 50
C13	Ceramic 0.01	CKDYF 103Z 50
C14	Ceramic 0.047	CKDBC 473Z 25
C15	Ceramic 220p	CCDSL 221K 50
C16	Ceramic 0.047	CKDBC 473Z 25
C17	Electrolytic 4.7	CEA 4R7P 25
C18	Ceramic 100p	CCDSL 101K 50
C19	Electrolytic 10	CEA 100P 16
C20	Electrolytic 0.47	CEA R47P 50
C21	Ceramic 0.047	CKDBC 473Z 25
C22	Ceramic 0.01	CKDYF 103Z 50
C23	Ceramic 0.01	CKDYF 103Z 50
C24	Electrolytic 1	CEA 010P 50
C25	Electrolytic 100	CEA 101P 16
C26	Ceramic 8p	CCDXL 080F 50
C27	Styrol 330p	COSA 331J 50
C28	Myilar 0.01	COMA 103K 50
C29	Ceramic 0.04	CKDYF 403Z 50
C30	Ceramic 0.01	CKDYF 103Z 50
C31	Ceramic 0.01	CKDYF 103Z 50
C32	Electrolytic 10	CEA 100P 16
C33	Ceramic 0.04	CKDYF 403Z 50
C34	Electrolytic 4.7	CEA 4R7P 25
C35	Electrolytic 47	CEA 470P 6
C36	Ceramic 220p	CCDSL 221K 50
C37	Electrolytic 100	CEA 101P 16
C38	Electrolytic 0.1	COSA 0R1M 25
C39	Ceramic 0.01	CKDYB 103K 50
C40	Ceramic 0.01	CKDYB 103K 50
C41	Myilar 0.047	COMA 473K 50
C42	Styrol 510p	COSH 511J 50
C43	Electrolytic 0.33	COSA R33M 10
C44	Electrolytic 1	COSA 010M 10
C45	Electrolytic 0.47	COSA R47M 10

Symbol	Description	Part No.
C46	Myilar 0.0091	COMA 912J 50
C47	Myilar 0.0091	COMA 912J 50
C48	Ceramic 0.0022	CKDYB 222K 50
C49	Ceramic 0.0022	CKDYB 222K 50
C50	Ceramic 560p	CKDYB 561K 50
C51	Ceramic 560p	CKDYB 561K 50
C52	Ceramic 0.0018	CKDYB 182K 50
C53	Ceramic 0.0018	CKDYB 182K 50
C54	Electrolytic 0.47	CSSA R47M 25
C55	Electrolytic 0.47	CSSA R47M 25
C56	Ceramic 100p	CCDSL 101K 50
C57	Ceramic 0.75p	CGB R75K 500
C58	Electrolytic 10	CEA 100P 16
C59	Ceramic 100p	CCDSL 101K 50
C60	Ceramic 100p	CCDSL 101K 50
C61	Ceramic 0.04	CKDYF 403Z 50
C62	Ceramic 0.04	CKDYF 403Z 50
C63	Ceramic 0.04	CKDYF 403Z 50
C64		

RESISTORS

Symbol	Description	Part No.
R1	Carbon film 100	RD4PS 101J
R2	Carbon film 1k	RD4PS 102J
R3	Carbon film 150	RD4PS 151J
R4	Carbon film 18k	RD4VS 183J
R5	Carbon film 3.3k	RD4PS 332J
R6	Carbon film 100	RD4PS 101J
R7	Carbon film 6.8k	RD4VS 682J
R8	Carbon film 12k	RD4VS 123J
R9	Carbon film 2.2k	RD4VS 222J
R10	Carbon film 330	RD4PS 331J
R11	Carbon film 560k	RD4PS 564J
R12	Carbon film 12k	RD4PS 123J
R13	Carbon film 16k	RD4PS 163J
R14	Carbon film 330	RD4PS 331J
R15	Carbon film 10k	RD4PS 103J
R16	Carbon film 2.4k	RD4PS 242J
R17	Carbon film 22	RD4PS 220J
R18	Carbon film 2.2k	RD4PS 222J
R19	Carbon film 47k	RD4PS 473J
R20	Carbon film 5.1k	RD4PS 512J
R21	Carbon film 3.3k	RD4PS 332J
R22	Carbon film 39k	RD4PS 393J
R23	Carbon film 47	RD4PS 470J
R24	Carbon film 100	RD4PS 101J
R25	Carbon film 24k	RD4PS 243J

Symbol	Description	Part No.
R26	Carbon film 2.2k	RD¼PS 222J
R27	Carbon film 2k	RD¼PS 202J
R28	Carbon film 3.3k	RD¼PS 332J
R29	Carbon film 270	RD¼PS 271J
R30	Carbon film 2.7k	RD¼PS 272J
R31	Carbon film 2.7k	RD¼PS 272J
R32	Carbon film 15k	RD¼PS 153J
R33	Carbon film 3.3k	RD¼PS 332J
R34	Carbon film 8.2k	RD¼PS 822J
R35	Carbon film 8.2k	RD¼PS 822J
R36	Carbon film 10k	RD¼PS 103J
R37	Carbon film 10k	RD¼PS 103J
R38	Carbon film 3.9k	RD¼PS 392J
R39	Carbon film 3.9k	RD¼PS 392J
R40	Carbon film 24k	RD¼PS 243J
R41	Carbon film 680	RD¼PS 681J
R42	Carbon film 680	RD¼PS 681J
R43	Carbon film 100k	RD¼PS 104J
R44	Carbon film 100k	RD¼PS 104J
R45	Carbon film 150	RD¼PS 151J
R46	Carbon film 240	RD¼PS 241J
R47	Carbon film 3.3k	RD¼VS 332J
R48	Carbon film 8.2k	RD¼VS 822J
VR1	Semi-fixed 4.7k-B	C92-051-0

SEMICONDUCTORS

Symbol	Description	Part No.
Q1	FET 3SK30-B (2SK55-D)	
Q2	Transistor 2SC535-A or B	
Q3	Transistor 2SC461-B	
Q4	IC HA1137	
Q5	IC HA1138	
Q6	IC HA1156	
Q7	Transistor 2SA763P-6 or 5 (2SA725-F or G)	
Q8	Transistor 2SA763P-6 or 5 (2SA725-F or G)	
D1	Diode 1S 2076 (1S 2473)	
D2	Diode 1S 2076 (1S 2473)	
D3	Diode 1S 2076 (1S 2473)	

For Service Manuals Contact
MAURITRON TECHNICAL SERVICES
8 Cherry Tree Rd, Chinnor
Oxon OX9 4QY
Tel: 01844-351694 Fax: 01844-352554
Email: enquiries@mauratron.co.uk

TRANSFORMERS, COILS

Symbol	Description	Part No.
T1	FM antenna coil	ATC-030-0
T2	FM RF coil	ATC-024-0
T3	FM oscillator coil	ATC-031-0
T4	FM matching transformer	ATE-008-A
T5	FM IF transformer	T73-035-A

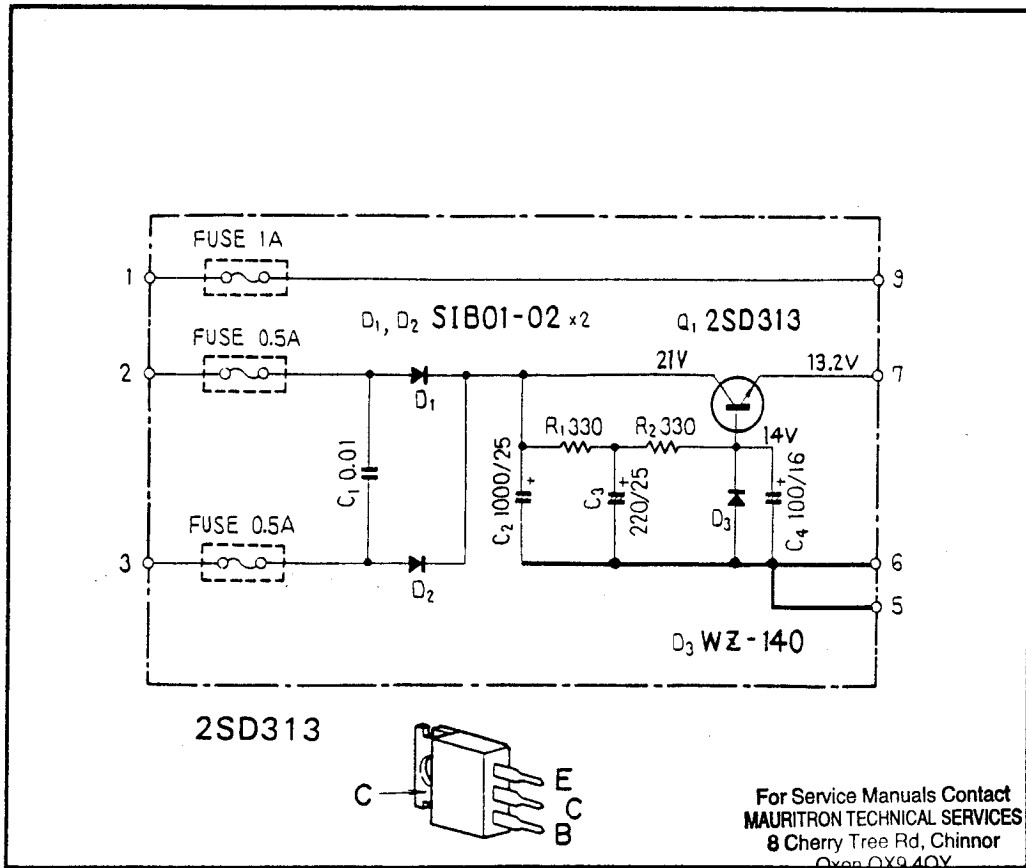
Continued on the Next Page

Symbol	Description	Part No.	
T6	AM oscillator coil	ATB-039-0	
F1	FM ceramic filter	ATF-013-B	
F2	FM ceramic filter	ATF-013-B	
F3	AM ceramic filter	ATF-027-0	
L1	RF choke coil 2.2 μ H	T24-028-A	
L2	RF choke coil 2.2 μ H	T24-028-A	
L3	RF choke coil 18 μ H	ATH-007-0	
L4	RF choke coil 2.2 μ H	T24-028-A	
L5	RF choke coil 100 μ H	T24-030-A	

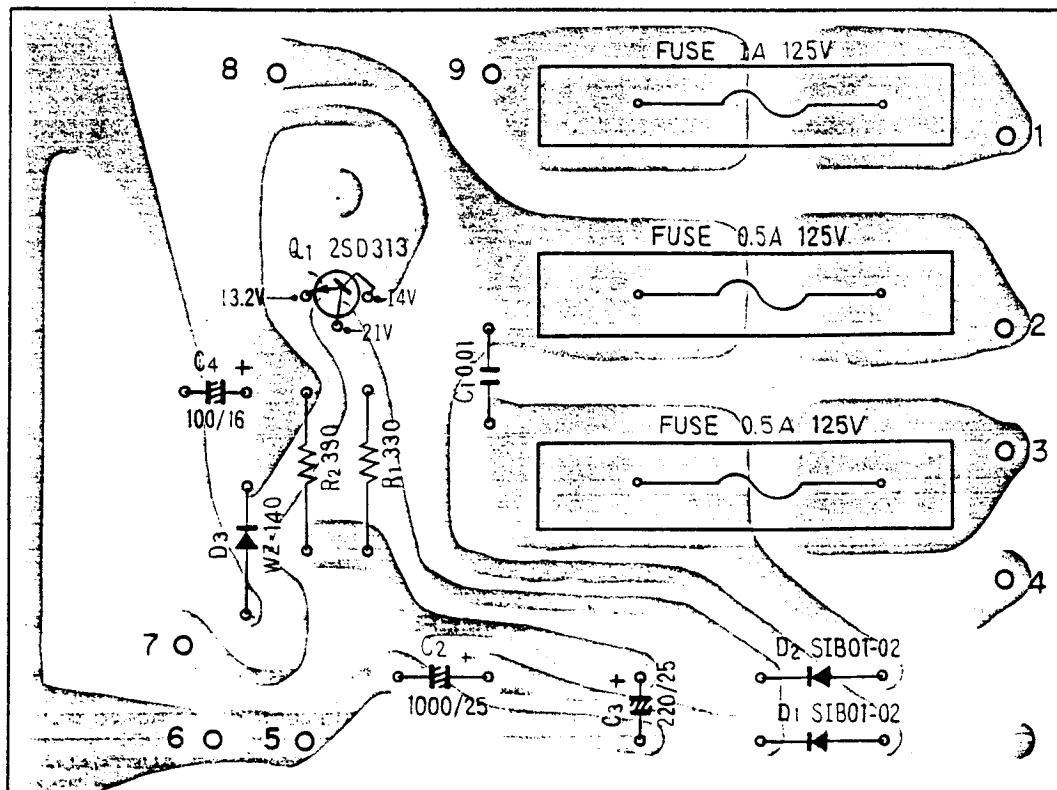
OTHERS

Symbol	Description	Part No.	
	Shield plate	ANH-114-0	
	Lever switch (FUNCTION)	ASK-082-0	

11.4 POWER SUPPLY CIRCUIT ASSEMBLY (AWR-079-0)



Foil Side



Parts List of Power Supply Circuit Assembly (AWR-079-0)

CAPACITORS

Symbol	Description	Part No.
C1	Ceramic 0.01 150V	ACG-002-0
C2	Electrolytic 1000 25V	CEA 102P 25
C3	Electrolytic 220 25V	CEA 221P 25
C4	Electrolytic 100 16V	CEA 101P 16

RESISTORS

Symbol	Description	Part No.
R1	Carbon film 330	RD½PS 331J
R2	Carbon film 330	RD½PS 331J

SEMICONDUCTORS

Symbol	Description	Part No.
D1	Diode S1B01-02	
D2	Diode S1B01-02	
D3	Zener diode WZ-140	
Q1	Transistor 2SD313-E	

OTHERS

Symbol	Description	Part No.
S1	Heat sink Fuse clip	ANH-117-0 AKR-013-0

For Service Manuals Contact
MAURITRON TECHNICAL SERVICES
 8 Cherry Tree Rd, Chinnor
 Oxon OX9 4QY
 Tel: 01844-351694 Fax: 01844-352554
 Email: enquiries@mauritron.co.uk

PIONEER ELECTRONIC CORPORATION
 4-1, 1-Chome, Meguro, Meguro-ku, Tokyo 153, Japan
U.S. PIONEER ELECTRONICS CORPORATION
 75 Oxford Drive, Moonachie, New Jersey 07074, U.S.A.
PIONEER ELECTRONIC (EUROPE) N.V.
 Meir-Center Meir 21, 2000 Antwerp, Belgium
PIONEER ELECTRONICS AUSTRALIA PTY. LTD.
 256-B City Road, South Melbourne, Victoria 3205, Australia